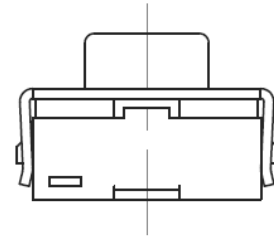
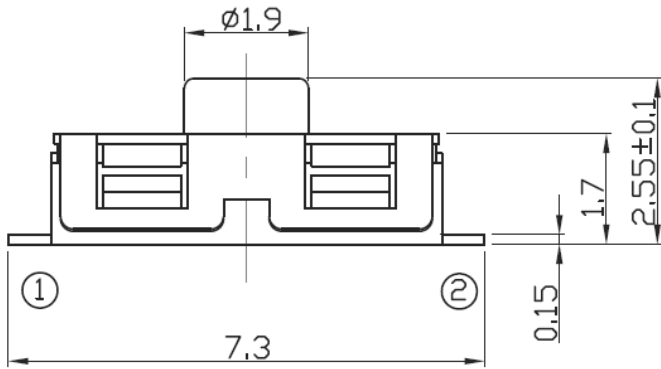
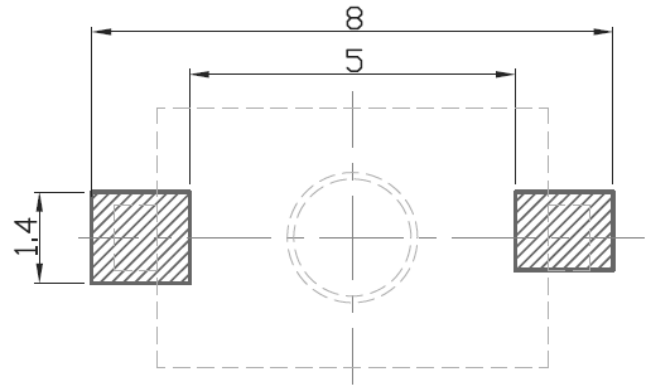
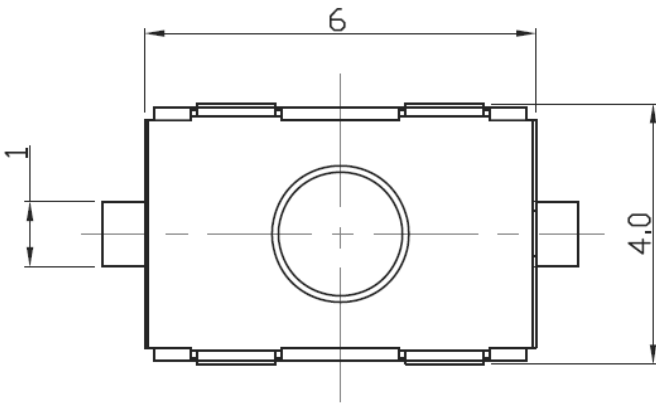


DIMENSIONS

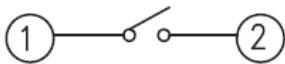


P.C.B MOUNTING PATTERN DIMENSION

The following soldering patterns are recommended for reflow soldering



CIRCUIT DIAGRAM



NOTES :

- 1.RATING : 50mA 12V DC
- 2.CONTACT RESISTANCE : 100mΩ MAX
- 3.STROKE : 0.5±0.2 mm
- 4.OPERATING FORCE : N 160±30gf R 250±50g
- 5.OPERATING LIFE : 50,000 30,000 CYCLES



銓基電子股份有限公司
ROKI ELECTRONICS CO., LTD.

PART NAME : TACT SWITCH		SCALE :
PART NO : TS51M-A□-PF SERIES		UNIT : mm
TOLERANCE : ±0.2 mm		DESIGN : R01